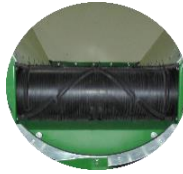
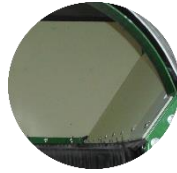


Ripped belt for feeder or fine fraction



Abrasion plates for the silo



Extension for Silo



Additional internal wire screens optional 40 to 80 mm



Foldable hopper walls



Illustration contains special options

Chute for 3rd fraction



Remote control



Bisection of the inner trommel approx. 75 x 75 mm



Additional external wire screens optional 2 to 80 mm



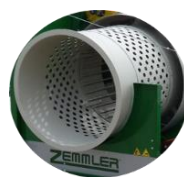
Additional options



Remodeling on skids



Remodeling to hook lift



Extension for 3rd fraction; punched Ø 40 / Ø 50 mm or not-punched



Diesel power generator 17,0 kVA 14,4 kW



External power supply



Roof for trommel and cleaning brush

ZEMMLER MULTI SCREEN® MS 3200 • Technical description 1

Base frame:

longitudinal beam: hollow profile, height 180 mm
 chassis: 2 x 5,5 t air suspension
 product: BPW
 tires: 4 x 235/75 R17.5
 rim: 4 x 6,75 x 17.5
 brake: drum air break EBS-control unit (ABS)

Conveyor belt fine fraction:

belt width: 600 mm
 belt length: 9,360 mm
 Y-profile belt: mechanic fold-away
 drop off side: left
 drop off height: 1,970 mm (standard)
 2,775 mm (extended conveyor belt)

Feeder:

cubage: 2,3 m³
 loading height: 2,515 mm
 loading length: 3,050 mm

Conveyor belt middle / coarse fraction:

belt width: 600 mm
 belt length: 7,500 mm
 Y-profile belt: mechanic fold-away
 drop off side: right
 drop off height: 2,010 mm (standard)
 2,650 mm (extended conveyor belt)

Feeding belt:

belt width: 800 mm
 belt length: 6,250 mm

Double trommel:

surface:
 inner: 8.1 m²
 outer: 10.0 m²
 drum diameter: 1,000 mm (inner)
 drum diameter: 1,300 mm (outer)
 drum length: 3,000/ 3,900 mm

Haul-off belt beneath double drum, Fine fraction

belt width: 800 mm
 belt length: 4,500 mm

Trommeldrive: direct over chain and chain wheel

2 fractions:

fine fraction: 2 - 80 mm, on demand
 coarse fraction: ex 170 mm (standard)
 3rd fraction: optional by extension

Mesh sizes:

inner: 75 x 170 mm (standard)
 outer: optional - exchangeable wire screens
 2 - 80 mm

Screen material:

sand, saw dust, wood chips, compost, soil, glass, coal and cinder, construction waste and recycling materials, stones and gravel sand with grain size 2 - 80 mm

Cleaning brush:

diameter: 350 mm, with own drive



construction waste



green waste



wood chips



sand & gravel



recycling



stones



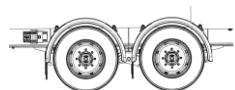
compost

All details are subject to technical modifications and future developments.

Further distribution and any kind of publication is permitted only with written approval of the Zemmler Siebanlagen GmbH.

ZEMMLER MULTI SCREEN® MS 3200 • Technical description 2

Chassis options:



On wheels (standard)



Track drive
(requires remote control Maxi)



On skids



Hook lift

Power:

elektric drive (32A)
approx. 12,7 kW / 15,9 kVA (standard)
optional Diesel-power-generator 17 kVA
(not included in the basic price)

Additional hydraulic options:

extended conveyor belt for fine fraction
extended conveyor belt for coarse fraction

Weight: approx. 7,700 kg
(standard equipped machine)

Hitch: height adjustable,
drawbar eye Ø 40 mm or Ø 50 mm

Dimensions:

Transportation:	<u>Standard</u>	<u>ext. conveyor belt</u>
length:	8,976 mm	9,001 mm
height:	3,580 mm	3,640 mm
width:	2,425 mm	2,448 mm

Service:	<u>Standard</u>	<u>ext. conveyor belt</u>
length:	8,976 mm	9,001 mm
width:	6,624 mm	10,136 mm
height:	3,580 mm	3,640 mm

Capacity: up to 60 m³/hour,
depending on condition of material,
mesh size and feeding

Colour / Coats:

2K polyurethane one-coat topcoat
silo, engine cover and side covers: RAL 6001 green
chassis, screening drum: RAL 7022 umbra grey
conveyor belt frame: hot galvanized



construction
waste



green waste



wood chips



sand & gravel



recycling



stones

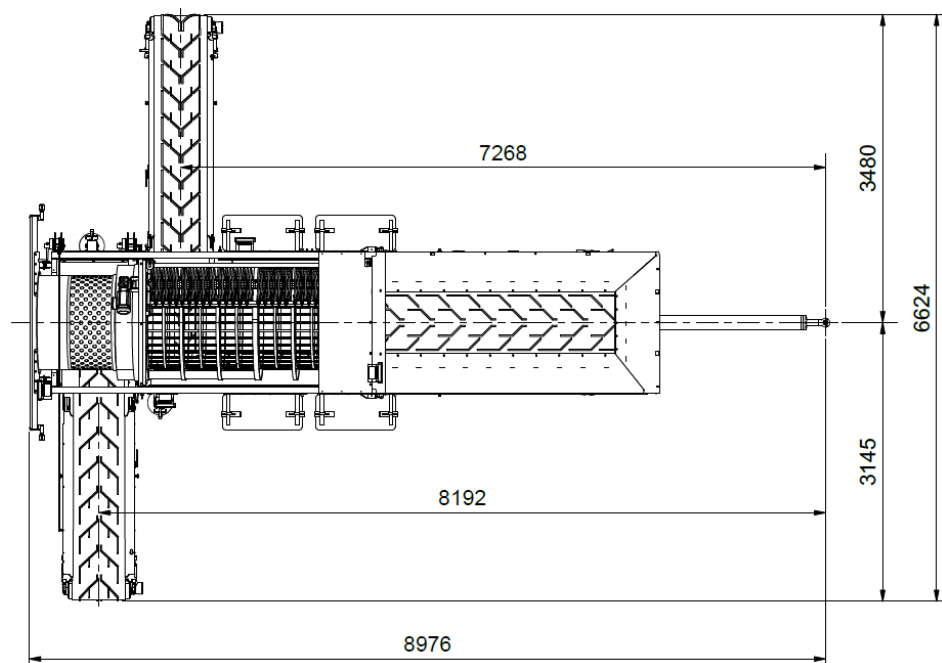
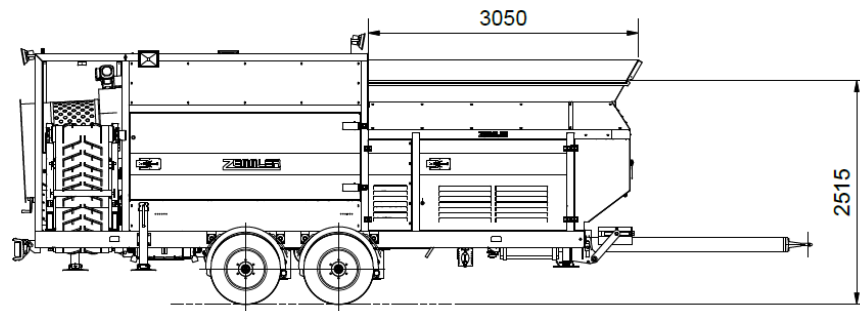
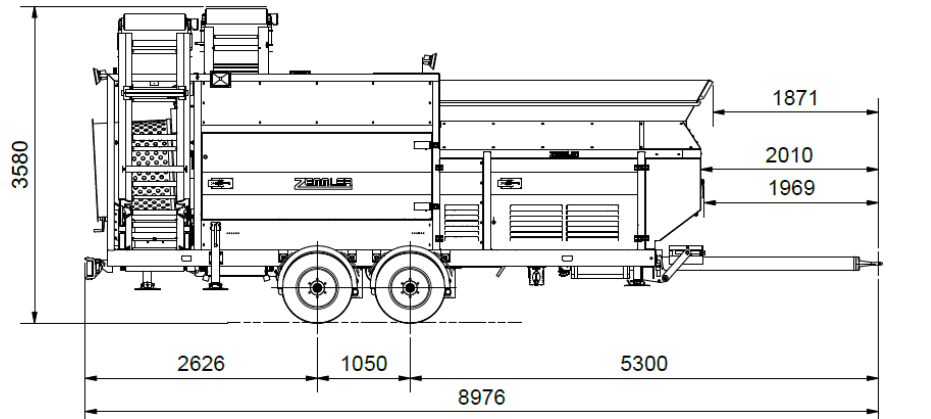


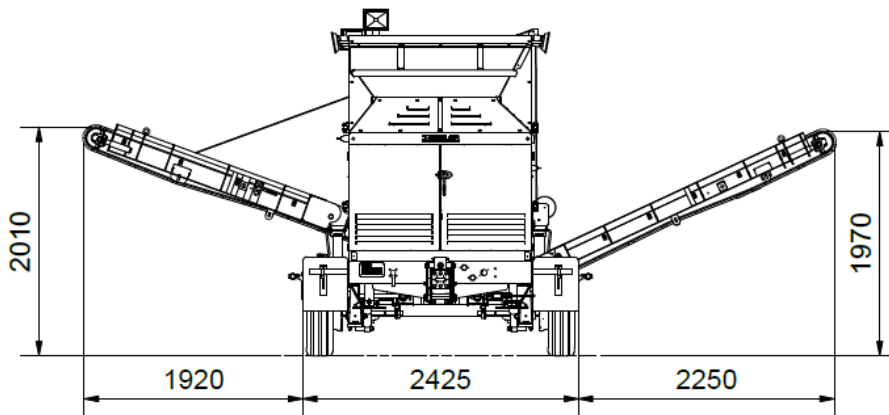
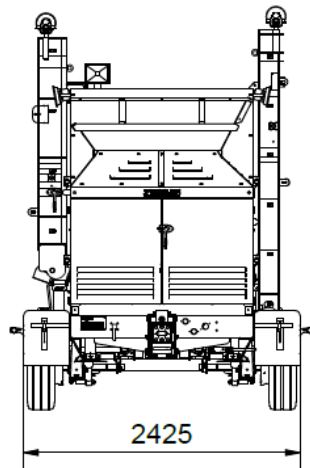
compost

All details are subject to technical modifications and future developments.

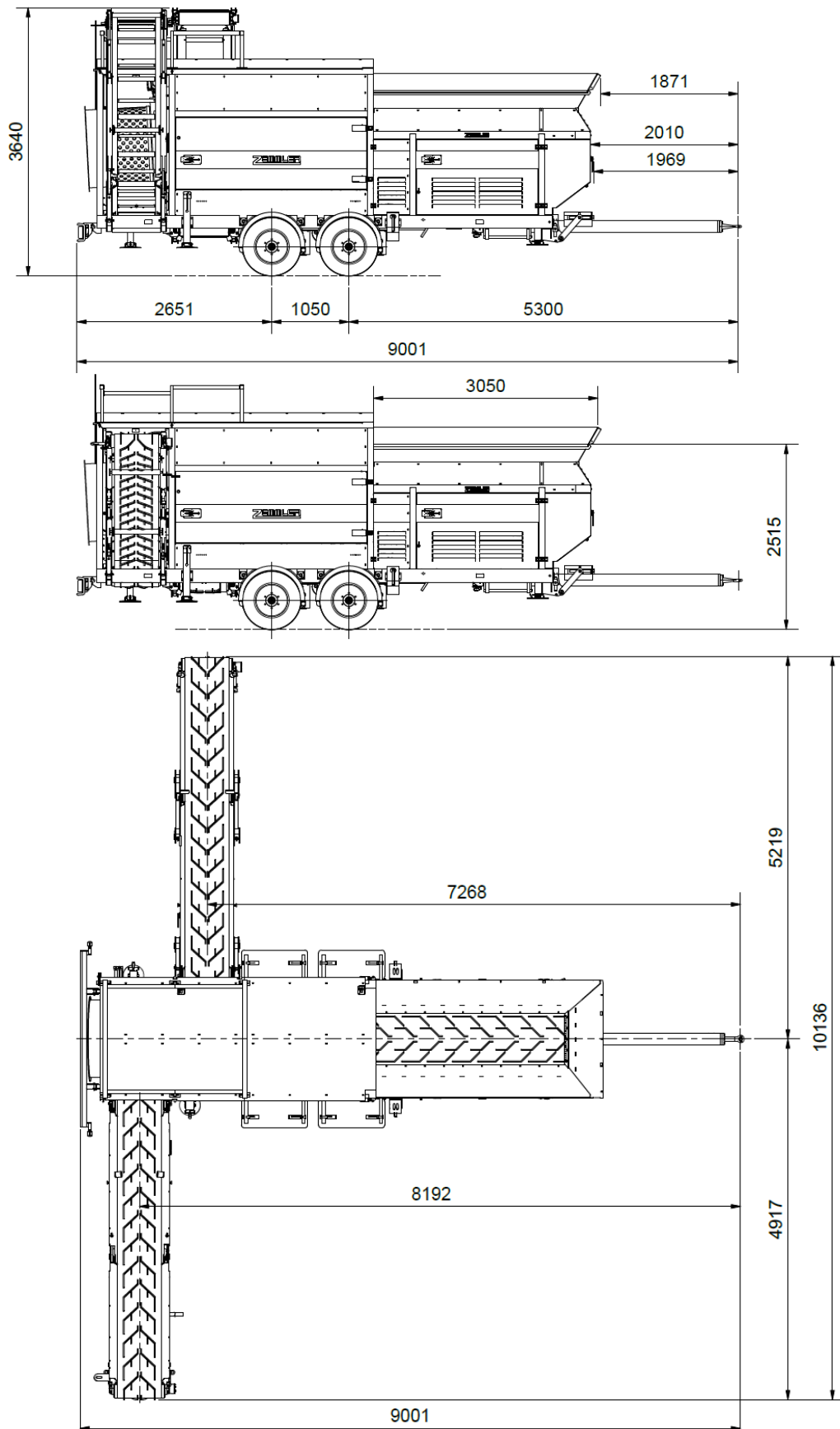
Further distribution and any kind of publication is permitted only with written approval of the Zemmler Siebanlagen GmbH.

ZEMMLER MULTI SCREEN® MS 3200 • Dimensions Standard equipped



ZEMMLER MULTI SCREEN® MS 3200 • Dimensions Standard equipped

ZEMMLER MULTI SCREEN® MS 3200 • Dimensions extended conveyor belts



All details are subject to technical modifications and future developments.

Further distribution and any kind of publication is permitted only with written approval of the Zemmler Siebanlagen GmbH.

ZEMMLER MULTI SCREEN® MS 3200 • Dimensions extended conveyor belts