

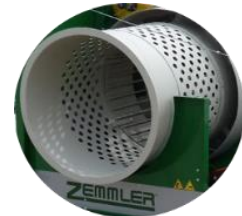
Additional external wire screens optional 2 to 80 mm



Additional internal wire screens optional 40 to 80 mm



Extension 900mm length for 3rd fraction alternative punched Ø 40 mm, punched Ø 50 mm or not-punched



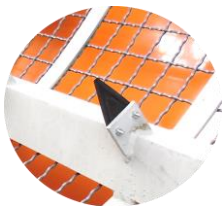
Bisection of the inner trommel approx. 75 x 75 mm



Flood lamps



Ripping blades



Roof for trommel and cleaning brush



Special lacquering



MULTI SCREEN® MS3200 ST

Diesel power generator 17,0 kVA



External power supply



Base frame:

longitudinal beam: profile HEA 160

Drum:

drum length: 3040/ 3940 mm
 inner drum diameter: 1.000 mm
 outer drum diameter: 1.300 mm
 inner screening surface: 8,1 sqm
 outer screening surface: 10,0 sqm
 revolving speed: 5 - 15 rpm,
 optional continuously adjustable with frequency converter

slope:

standard 5°, optional manual adjustable (3°, 5°, 7°)

mesh size

optional - exchangeable wire screens,
 inner mesh size: 70 x 170 mm
 outer mesh size: 20 x 20 mm

cleaning brush:

350 mm diameter, electric powered (0,75 kW)

Measure:

length: 3.700/ 4.600 mm
 width: 1.600 mm
 height: 2.500 mm

Weight:

approx. 2.500 kg

Capacity:

up to 60 cbm/hour, depending on condition of material, mesh size and feeding

Screening material:

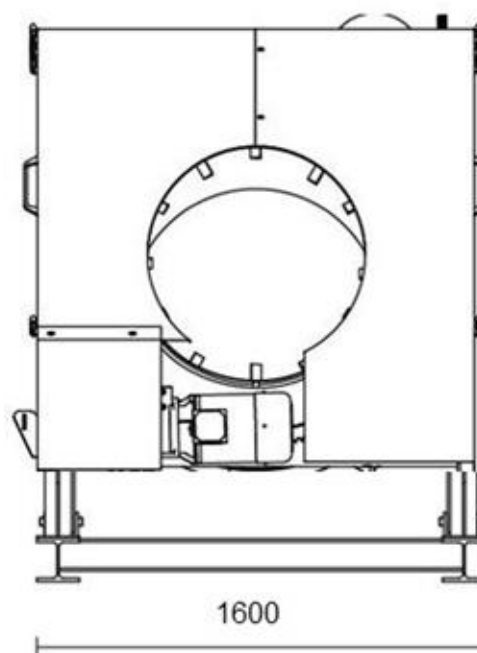
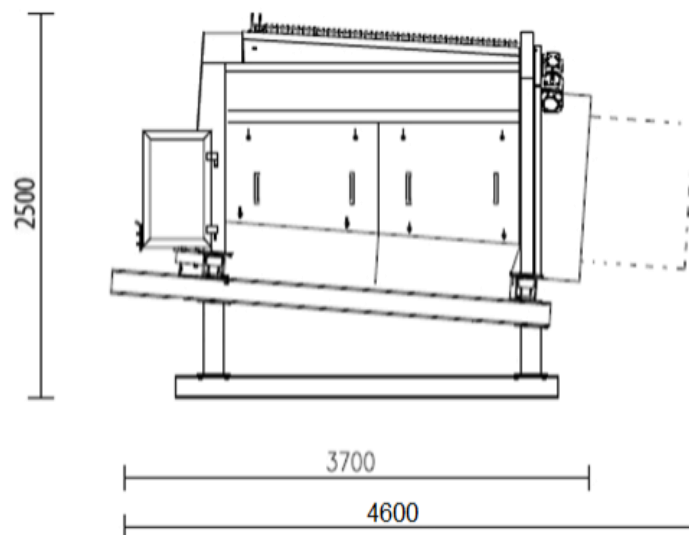
sand, saw dust, wood chips, compost, soil, glass, coal and cinder, construction waste and recycling materials, stones and gravel sand with grain size 2 - 80 mm

Two Products:

1. fraction: 2 - 80 mm, on demand (standard screen size: 20 x 20 mm)
2. fraction: ex 170 mm (standard)
- Option: 3. fraction by extension

Colour / Coats

one-layer coating
 chassis RAL 7022 umbra grey, engine cover and side covers,
 RAL 6001 green
 Screening drum: grey



All details are subject to technical modifications and future developments.

Further transfer and any kind of publication is permitted only with written approval of the Zemmler Siebanlagen GmbH.