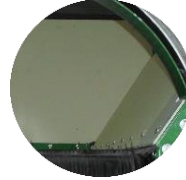


Roof for double trommel and cleaning brush



6 mm screwable abrasion plates for the silo



Permanent drum magnet with slide



TopSpin PreCleaner



Additional conveyor belts (extended possible)



Rip blades



Additional internal wire screens optional 40 - 80 mm



different Trommels:
- conic
- single
- punched
- and more



MULTI SCREEN® MS5200-ST

Additional external wire screens optional 2 to 80 mm



Flood lamps



Bisection of the inner trommel 75 x 75 mm



Special lacquering



Remote control



**All details are subject to technical modifications and future developments.
Further transfer and any kind of publication is permitted only with written approval of the Zemmler Siebanlagen GmbH.**

Base frame:

longitudinal beam: profile HEA 160

Drum:

drum length: 5,200 mm
 inner drum diameter: 1,500 mm
 outer drum diameter: 2,000 mm
 inner screening surface: 22.1 sqm
 outer screening surface: 24.5 sqm
 revolving speed: 5 - 15 rpm,
 optional continuously adjustable with frequency converter

slope:

Standard 4°, optional manual adjustable (3°, 5°, 7°)

drive:

electric motor 15.0 kW

mesh size:

inner mesh size: 80 x 170 mm (standard)
 outer mesh size: optional - exchangeable wire screens,
 standard 20 x 20 mm

cleaning brush:

500 mm diameter

electric powered:

electric motor 1.5 kW

Dimension:

total height: 3,200 mm
 total width: 2,500 mm
 total length: 5,850 mm

Weight:

5.000 kg

Capacity:

20 - 150 cbm/hour, depending on condition of material, mesh size and feeding

3 Products:

1. product: 2 - 80 mm, on demand (standard screen size 20x20mm)
2. product: between 2 and 80 mm und up to 170 mm
3. product: ex 170 mm (standard)

Screening material:

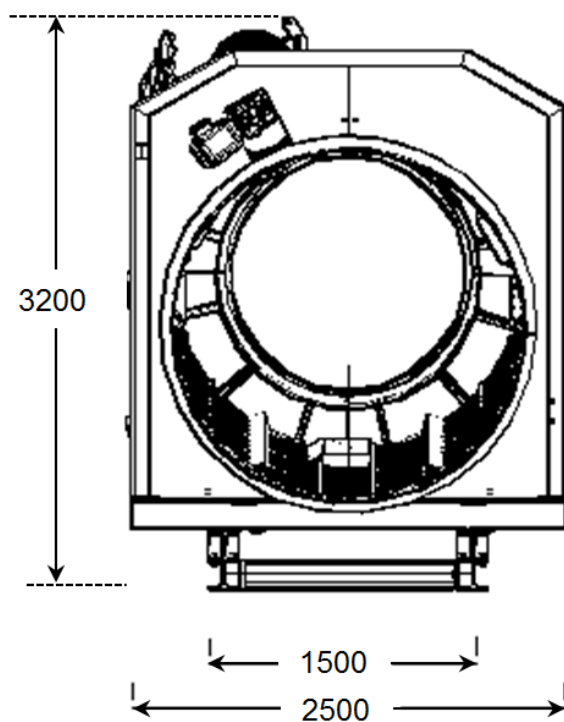
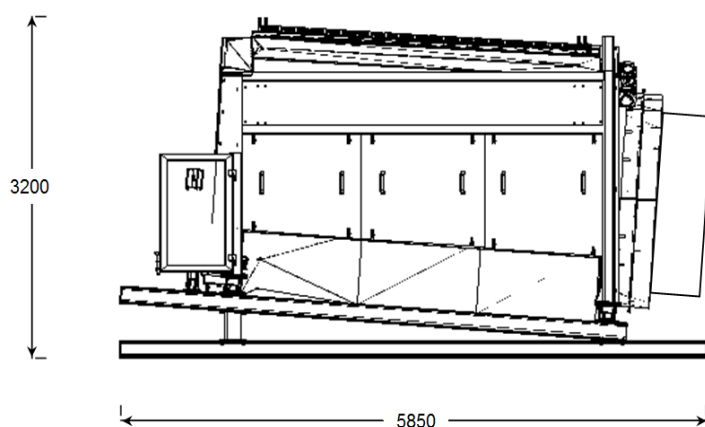
sand, saw dust, wood chips, compost, soil, glass, coal and cinder, construction waste and recycling materials, stones and gravel sand with grain size 2 - 80 mm

Remodeling to 2 product trommel possible:

Shortened inner trommel, omission of belt of coarse product
 Shortened inner trommel, omission of middle product, widened & extended conveyor of coarse product 4.500x1.000mm
 Single trommel, omission of middle product, widened & extended conveyor of coarse product 4.500x1.000mm)

Colour / Coats:

one-layer coating
 chassis, engine cover and side covers, RAL 6001 green
 screening drum: grey



All details are subject to technical modifications and future developments.

Further transfer and any kind of publication is permitted only with written approval of the Zemmler Siebanlagen GmbH.